

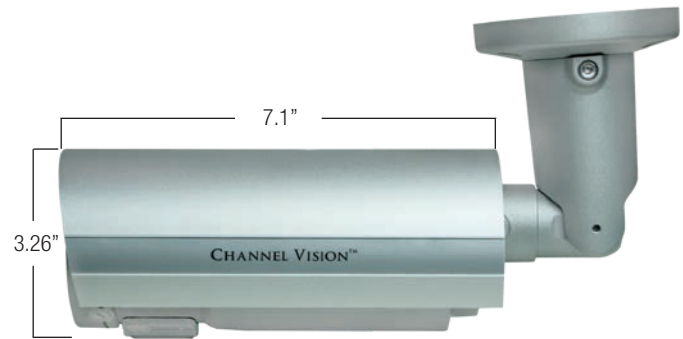
2MP 1080p IP Bullet with IR LEDs

6543

Channel Vision's 6543 Vandal Proof IP Bullet offers superior image quality with a 2 megapixel CMOS sensor and has the ability to capture images up to 1080p (1920 x 1080 pixels). With H.264 compression, less bandwidth and storage space is used, while delivering full resolution at max frame rate with faster speeds over the internet. The 6543 has a varifocal lens with built-in 35 IR LED for a viewing distance of 60 feet in total darkness. Monitoring can be done anywhere in the world using an internet browser or Channel Vision's own iOS and Andorid applications.

Features

High resolution with 2 megapixels for superior HD 1080p at 30fps
iOS® and Android® Monitoring with the Channel Vision App
Varifocal 3.6-16mm lens with built-in 35 IR LED for a viewing distance of 60 feet in total darkness
H.264 compression allows less bandwidth and storage space to be used while delivering full resolution 2 megapixels at 30 frames per second
IP66 Waterproof Protection Rating
Power over ethernet with POE enabled switch
Includes analog video BNC



HARDWARE

Image Sensor: 1/2.7" CMOS (2 Megapixel)
Lens: 3.6-16mm Varifocal F1.8
Angle of View: 23.6° - 97.9° (H) x 14.2° - 51.6° (V)
Sensitivity: Color: 0.1 lux (AGC on), B/W 0 lux (IR on)
I/O: D1 x 1 / D0 x 1
IP Rating: IP66 Waterproof Protection Rating
POE Consumption: 400mA / 4.8 watts (IR Off), 640mA / 7.68 watts (IR On)

IR LED

LED's: 35
IR Distance: Max Distance 60ft.

NETWORK

Network Protocol: Ipv6, Ipv4, TCP/IP, UDP, SMTP, FTP, PPPoE, DHCP, DDNS, NTP, UPnP, 3GPP, Samba, & Bonjour
Security: Password protection, IP address filtering, HTTPS encrypted, 802.1x port based authentication for network protection, & QoS/DSCP

REMOTE VIEWING

OS: Windows 2000, XP, Vista, 7
Browser: Microsoft IE 6.0 or above
 Safari, Chrome



SYSTEM

Dimensions: 3.26" (W) x 7.1" (L)
Video Compression: H.264, MJPEG, MPEG-4 (3GPP only for MPEG-4)
Supported Resolutions: 1920x1080, 1280x720, 640x480, 320x240, 176x144
Max Resolution: 1920x1080 (30 FPS)
Audio Compression: G.711 (64k) or G.726 (24/32k)
Audio: Audio input line level, Output line level 2-way audio
DC Power Consumption*: 316mA / 3.8 watts (IR Off), 480 / 5.76 watts (IR on)
Vandal Proof: Yes
Motion Detection: Yes, digital only
SD Cards Supported: Micro SD 32GB (max tested; Trancend, Scandisk)
Video Output: Composite, BNC
Alarm Input: N/O
Relay Output: COM+N.O. / COM+N.C.
Operating Temperature: 0°C ~ 40°C
Recommended Power Supply: 12VDC, 1AMP, 2.1mm Connector

*Specifications subject to change. iOS and Android are registered trademarks of their respective companies.



Surveillance Systems



Structured Wiring



Intercom & Telephone
Entry Systems



IR Remote Control
Distribution



Audio & Video
Distribution